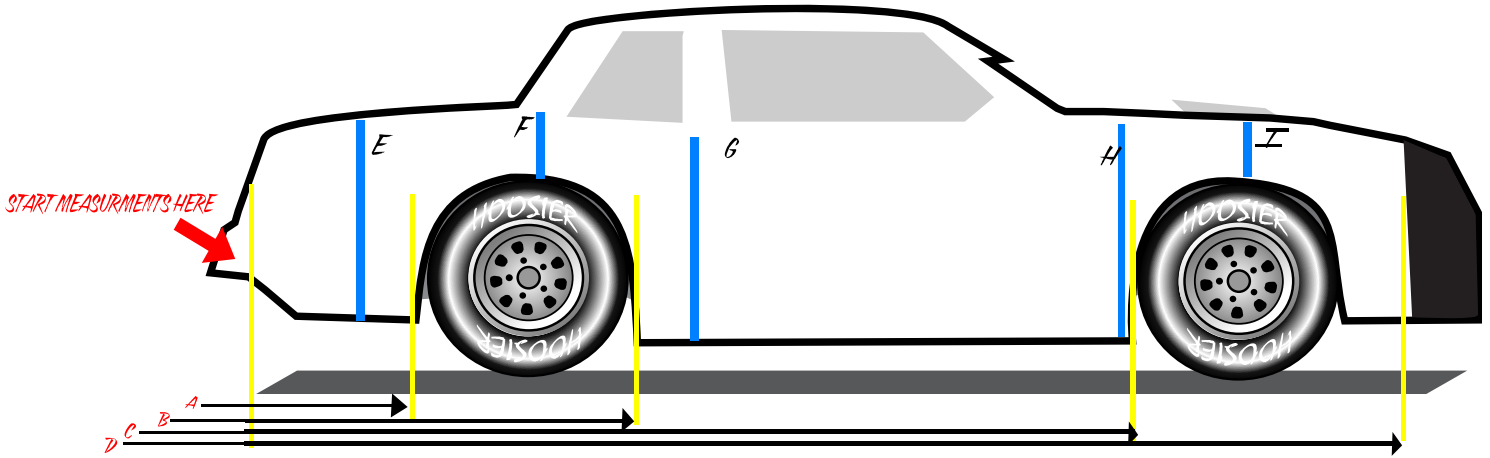
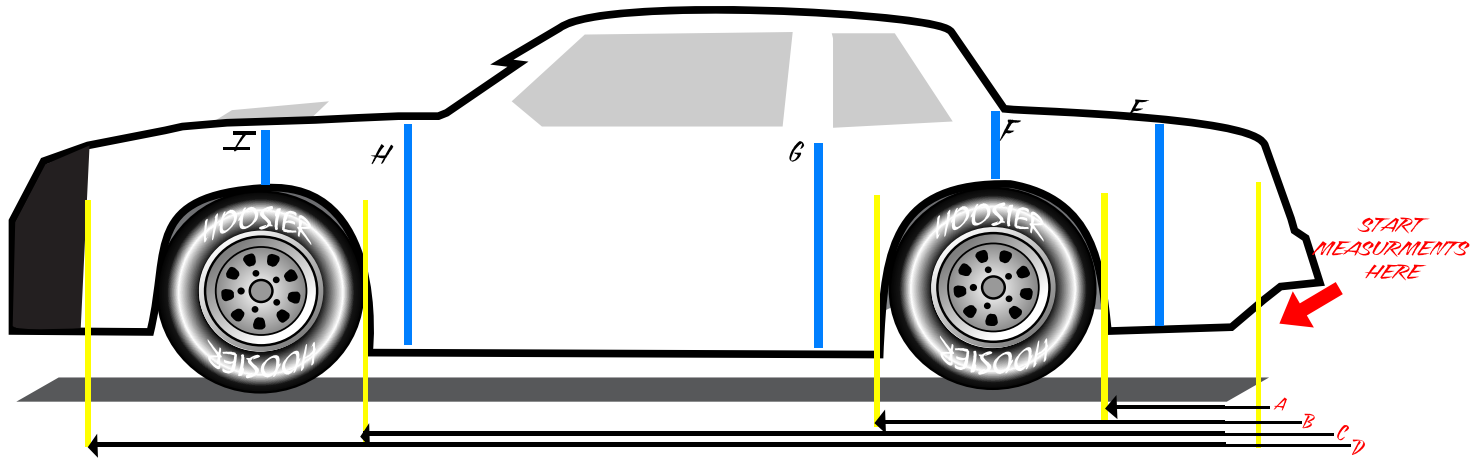


STREET STOCK DIMENSION FORM



LEFT SIDE

Start all horizontal measurements at the rear of the car. If sides of car are identical just write same as other side.

AGGRESSIVE
GRAPHICS.COM
618.410.0534

A _____
 B _____
 C _____
 D _____
 E _____
 F _____
 G _____
 H _____
 I _____

RIGHT SIDE

NAME: _____
CAR#: _____

AGGRESSIVE
GRAPHICS.COM

618.410.0534

A _____
 B _____
 C _____
 D _____
 E _____
 F _____
 G _____
 H _____
 I _____

email:
 info@aggressivegraphics.com