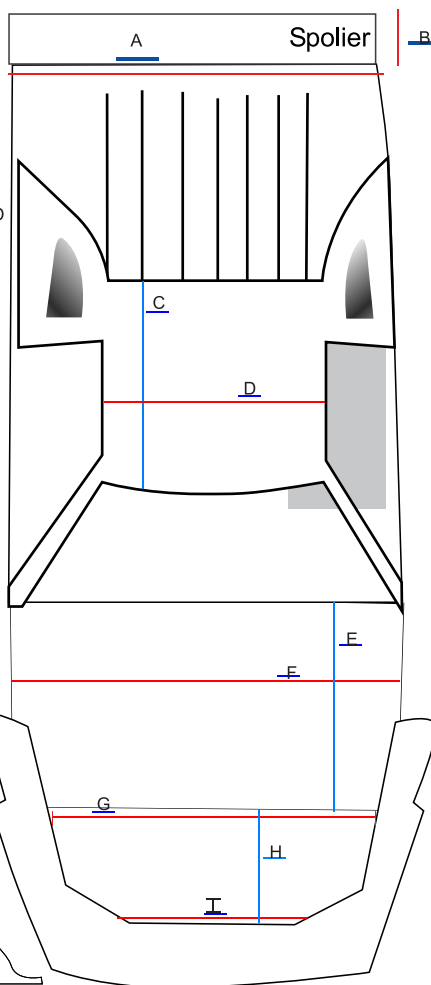
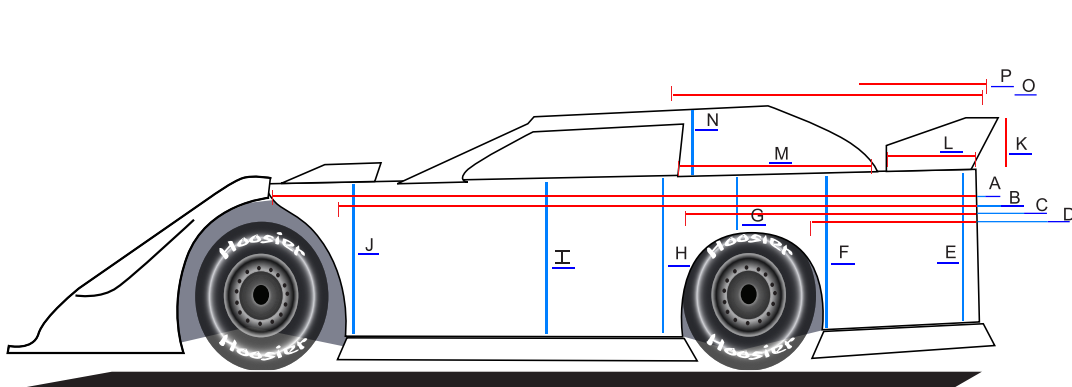


LATE MODEL DIMENSION FORM

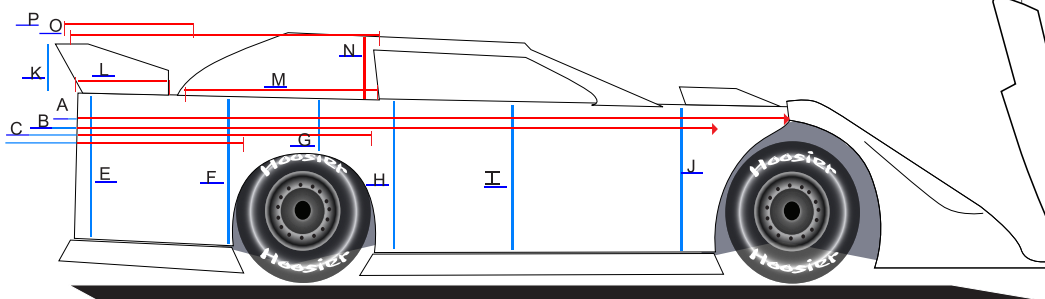


**AGGRESSIVE
GRAPHICS.COM**

618.410.0534

email:
info@aggressivegraphics.com

Start all horizontal measurements at the rear of the car. Do not include plastic skirting or the roll at the top of the door in vertical measurements.



LEFT SIDE

TOP VIEW

A _____
B _____
C _____
D _____
E _____
F _____
G _____
H _____
I _____

J _____
K _____
L _____
M _____
N _____
O _____
P _____



A _____
B _____
C _____
D _____
E _____
F _____
G _____
H _____
I _____

RIGHT SIDE

A _____
B _____
C _____
D _____
E _____
F _____
G _____
H _____
I _____

J _____
K _____
L _____
M _____
N _____
O _____
P _____

**AGGRESSIVE
GRAPHICS.COM**

618.410.0534

NAME:

CAR#: